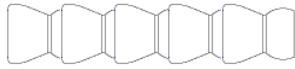
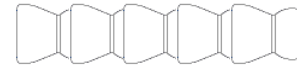


It's a Switch Mount!! It's a Device Mount!!



IT'S LOC-LINE!!



(Hanser, 2005, updated 2007, Hanser & Wagner, 2017)

What is Loc-Line?

Loc-Line is inexpensive, flexible plastic tubing. It's also referred to as *Modular Hose*. Before becoming an access tool, Loc-Line was/is used for plumbing, industrial and household tasks. Loc-Line is easily repositioned like gooseneck, however it allows for more precise positions than metal goosenecks. It can be used to mount switches, lightweight AAC devices or other interface devices. Loc-Line is a good, durable alternative when flexible mounting is needed. It comes in three different widths: 1/4", 1/2", and 3/4." While Loc-Line is a great, inexpensive mounting solution, it does not work for every individual. Some individuals have very strong movements which cause them to move the Loc-Line, thus moving the switch or other device out of the desired position. These individuals would benefit from a mount that is rigid and fixed in nature. There are multiple options for buying Loc-Line. It can be purchased in packs with two 5 1/2-6" lengths for under \$10. For creating multiple mounts, there are 5 foot packs, 25 foot packs, and 50 foot spools. If you buy packs and spools you'll need to make sure you buy all of the right parts for making mounting clamps and switch plates. However, to make it easier, the good folks at Modular Hose have made switch mount kits with all the "fixins." See below for a few examples. Check the website for way more: www.modularhose.com

#160241

2' foot Loc-Line mount with a spring clamp for under \$40



#110241

2' Loc-Line mount with an adjustable clamp for under \$60.



IMPORTANT "MUST BUY" TIP:

Consider getting special pliers for manipulating the Loc-Line. Loc-Line is manipulated by connecting the individual segments. The segments can be pulled apart and snapped back together, but it requires quite a bit of hand strength. Save your hands & get the special pliers used to take apart segments and to add segments. There are different pliers for the different diameters of Loc-Line. Make sure you get the right pair!



Accessories for Customizing Mounts

Different accessories can be helpful in creating custom mounts where specific angles and less flexibility are needed.

Straight Rigid Tubes



90-Elbow Joints



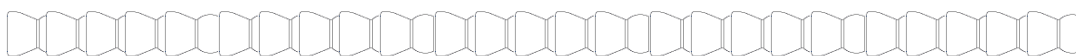
T-Joints



Reducers



**Loc-Line can also be interfaced with PVC pipe! This is especially helpful if you have a PVC pipe mount that requires just a little flexibility (i.e. head switches). Check the Loc-Line accessories for joints that screw into PVC pipe joints.

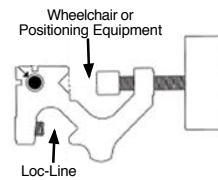


Attaching Loc-Line Mounts to a Wheelchair or Positioning Device

Plan A: Wheelchair/Positioning Equipment Frame Clamps

Check the AT closet.

If you have any old gooseneck mounts that have seen their better day, you can re-purpose the clamp. Remove the gooseneck and replace it with $\frac{1}{2}$ " or $\frac{1}{4}$ " Loc-Line. If using $\frac{1}{4}$ " Loc Line, you can add some non-skid material around it to make a tighter fit in the clamp.



Modular Hose Spring Clamp #510001

$\frac{3}{4}$ " Loc-Line attaches to this. While easy to use, consider where you will be using this clamp. Works well on tables, activity chairs, and laptrays. Doesn't work well on round tubes. www.modularhose.com



Modular Hose Round Tube Clamp Kit #511001

For $\frac{3}{4}$ " Loc-Line

Clamp is for mounting $\frac{3}{4}$ " Loc-Line to round tubes such as wheelchairs, bed frames, and more. Works on wheelchairs with 1" or $\frac{7}{8}$ " tubing. Comes with grip liner so that it can be used with $\frac{7}{8}$ " tubing. www.modularhose.com



Modular Hose Round Tube Clamp Kit #512001

Can buy the clamp already setup for attaching Loc-Line. www.modularhose.com

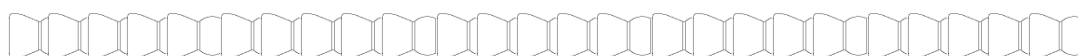


Manfrotto Clamp *without* the Stud

An unadapted camera clamp can be used to mount the Loc-Line, but you will need to get the right parts to attach the Loc-Line. Many common switch mounts use this particular mount clamp. Google this item and you will find a variety of camera vendors that sell this for \$25-35. Here are some of the common vendors: www.adorama.com, www.bhphotovideo.com, www.amazon.com



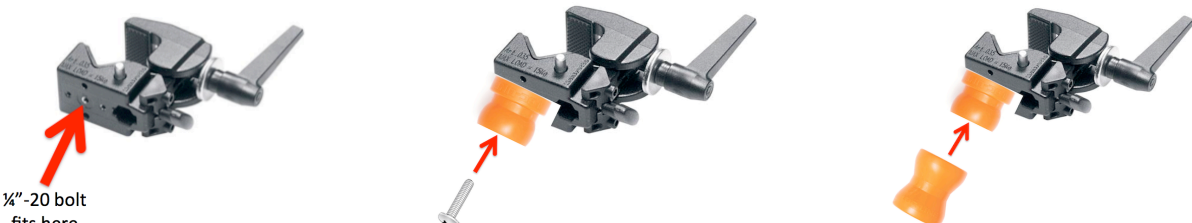



Don't forget to check the AT closet for any broken mounts with these clamps—re-purpose it!



Mounting Loc-Line on an Unadapted Manfrotto Clamp

Modular Hose sells already adapted clamps, but if you want to make your own, here's how.

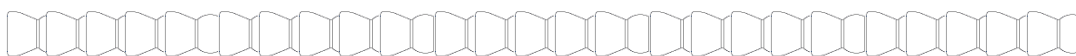
Attaching 1/2" and 3/4" Loc-Line		1/2" Loc-Line Parts	3/4" Loc-Line Parts
 Flat Mount You will need to buy some additional Loc-Line parts.	Designed to attach the Loc-Line to a flat surface with a bolt. Use a 1/4"-20 bolt to screw this onto the clamp.	#51895 Loc-Line Flat Mount for 1/2" ID System	#60533 Loc-Line Flat Surface Mount/Fixed Mount for 3/4" ID System
 Double Socket	After the above gets screwed onto clamp, this attaches to it. This is what the Loc-Line will snap on to.	#51811 Loc-Line Double Socket for 1/2" ID System	#61514 Loc-Line Double Socket for 3/4" ID System
 <p>1/4"-20 bolt fits here</p>			

Attaching 1/4" Loc-Line No additional Loc-Line parts needed. It gets inserted into a different part of clamp.	 1/4" Loc-Line fits here
---	---

Plan B: Use reusable cable ties or hose clamps: Used with 3/4", 1/2" and 1/4" Loc-Line

Can use 3-4 reusable cable ties or small hose clamps to attach the Loc-Line to the tubing on the wheelchair frame. Cable ties and hose clamps are available at local hardware stores. Be careful because the clamp may scratch the paint on the wheelchair. To help protect the paint, can try wrapping the area with duct tape first or some other material. Depending where you attach the Loc-Line to the chair, the Loc-Line may not be secure and may rotate within clamp. Here are 2 possible solutions:

- Wrap the Loc-Line or w/c tubing with something that the clamp can dig into such as dycem, drawer liner or adhesive back loop Velcro.
- Use a Loc-Line elbow joint or T joint to setup 2 perpendicular arms. These can be clamped down to the wheelchair where there is perpendicular joint on the frame. This will keep the actual Loc-Line switch mount from rotating.



Attaching Switches to Loc-Line

No Budget, Easy Plan A: Use Jar or Container Lids (from Linda Burkhart!)

Jar lids can be used to create a surface to attach your switch or other light item. Peanut butter jar or mayonaise jar lids are perfect for the standard 2 ½-3" switch. Gatorade bottle lids are perfect for smaller switches. Put the lid on a flat surface. Center the end of the Loc-Line inside the jar lid. Fill it up with loads of hot glue!!!! Add Velcro to the surface of the lid and you are ready to go!

Plan B: Modular Hose sells switch plates for 2.5-3" wide switches



#90510 For ½" Loc-Line






#522301 For ¾" Loc-Line



Plan C: Attach to other companies' switch plates using Modular Hose Flat Mount connector

<p>Ablenet Universal Mounting Plate #80000015 from Ablenet</p> 	<p>Attach Loc-Line using the Modular Hose Flat Mount connector (#51895 for ½" Loc-Line OR #60533 for ¾" Loc-Line)</p>  <p>*This allows you to mount a SMALL switch</p>
<p>iSwitch Mounting Plate from Inclusive Technology</p> 	<p>Attach the same way as the Ablenet mount plates</p> <p>Attach Loc-Line using the Modular Hose Flat Mount connector (#51895 for ½" Loc-Line OR #60533 for ¾" Loc-Line)</p>

Attaching Light AAC Devices & Other Devices to Loc-Line

<p>#53001 For ¾" Loc-Line 4"x6" plate good for light weight devices</p> 	<p>#540001 For ¾" Loc-Line 8.5"x11" plate good for holding books, papers, light devices</p> 	<p>#522311 For ¾" Loc-Line 3" disc good for attaching cameras and other devices with ¼"-20 receptacle</p> 
---	---	---

